

TECHNICAL DATASHEET



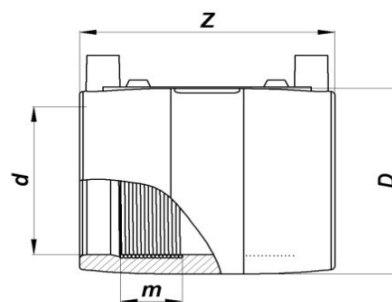
EF COUPLER

04 Update - 04/2024

TECHNICAL DATA

Article No	001 117 2160 0400
d (mm)	400
D (mm)	488
Z (mm)	300
m (mm)	60
Weight (Kg)	13,970
Box Quantity (pcs)	1
Box Dimension (cm)	55x30x50


INJECTION MOULDED



IDENTIFICATION OF PRODUCT

D(mm)	400
SDR	11
RAW MATERIAL	PE 100
PRESSURE CLASS	16 Bar Water 10 Bar Gas
TRADEMARK	NTG
EXECUTION	Injection Moulded
STANDARD	EN 12201-3 EN 1555-3 AS / NZS 4129
SPECIFICATION	Suitable for SDR9...17 pipe Removable center stopper (up to 400 mm) 4 mm pin connectors

EF SPECIFICATION

WELDING VOLTAGE	40 V
RESISTANCE	0.48 Ω
WELDING TIME	1200 Sec.
COOLING TIME	30 Min.
WINDING TYPE	Monofilar
WELDING BARCODE	

951420344003400486920118

Tolerance on diameters and thickness according to the standards. The other dimensions are specialized. Tolerance \pm 5%. NTG PLASTIK reserves all the right to change any information without giving prior notice. The production, distribution and utilization of this document without explicit authorization is prohibited.